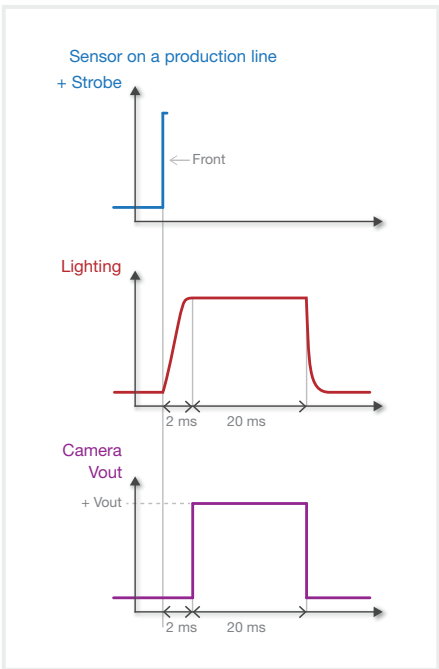


TIME TABLE - STROBE MODE



SETTING EXAMPLE
Pulse duration : 20 ms
Active output status : high
Activation front : increasing

USER SECURITY

Do respect the power supply voltages and the connection terminals.

Do not modify or dismantle all or part of the product.

Do not connect or clean when power is on.

EQUIPMENT MAINTENANCE

CLEANING (when the product is switched off)

Please use a soft and dry cloth. Do not use any abrasive material. Do not use any cleaning solvent or aggressive chemical product. TPL Vision recommends to use isopropyl alcohol.

Version A-2, 2018/07 edition.

Features and presentations liable to changes without notice.

PREAMBLE

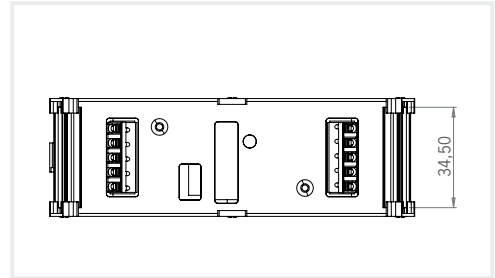
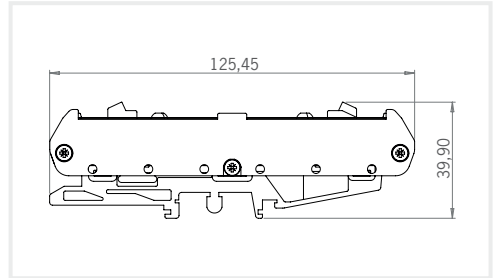
This notice includes all the advice and warnings that enables a correct set up and a safe use of the product. TPL Vision can not be responsible for the bad use of the notice. If so, TPL Vision cancels the guarantee's effects.



UNPACKING

Products are packed in our factory, using suitable materials for a safe transport through the usual means of transportation, in France and abroad. However, a damaged package must be reported to the carrier on delivery. Hand-written reservations must be indicated on the delivery order. Moreover, please send a letter or an email to TPL Vision as soon as possible (up to 24 hours after the delivery). If the transportation damage has not been stipulated on the delivery order and reported to TPL Vision in time, the package will not be taken back nor exchanged. To open the package, do not use any cutting blade so as to avoid damages on the product. Please use the delivered accessories, if needed (do not use any other products or equivalents to replace the delivered accessories).

DIMENSIONS





TIME TCONTROL USER GUIDE

P2/4

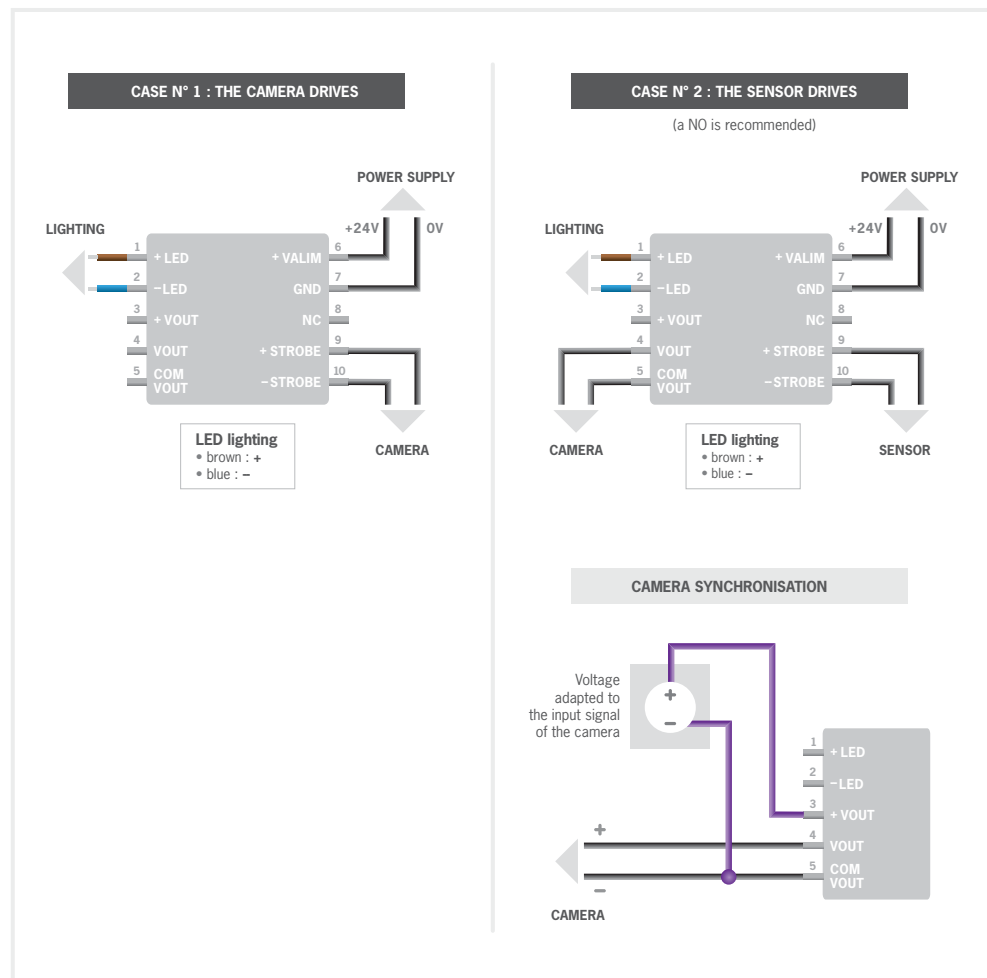
P3/4



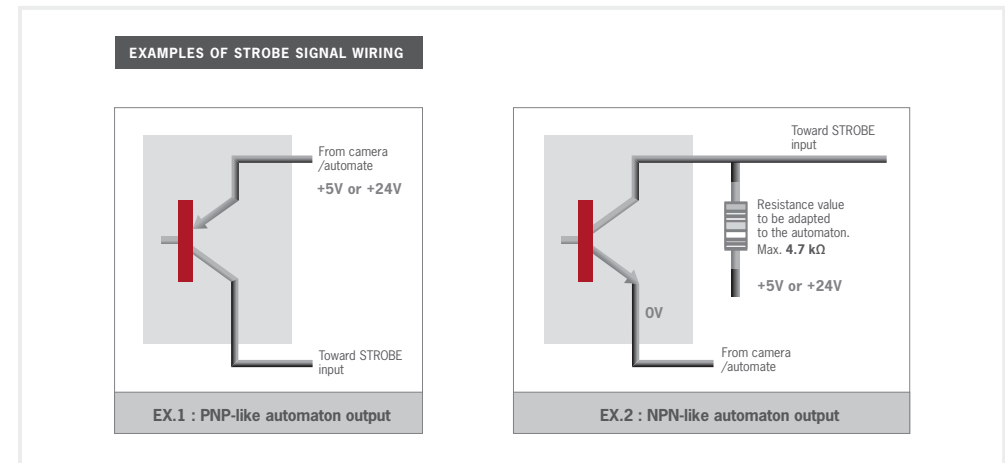
FIXING

During the fixing time, the product has to be switched off and unplugged. The fixing is made on Rail DIN.

CONNECTION



TRIGGERING SIGNAL / AUTOMATON OUTPUT



SETTING

