

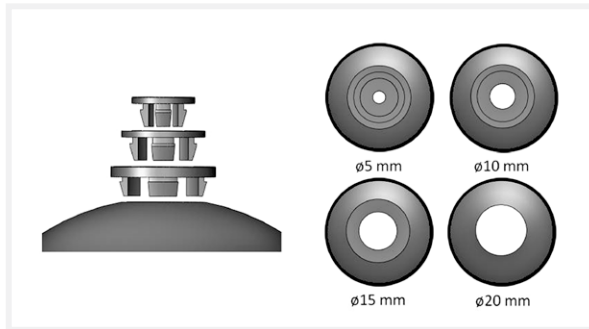


SMALL SDOME 130 USER'S GUIDE

P4/4

■ SETTINGS

The SDOME lighting is delivered along with 3 accessories to be clipped on the top of the dome. If the camera's field of vision allows it, these clips help to reduce the diameter and then, to decrease the drop shadow over the workpiece.



Version A-1, 2014/01 edition.



SMALL SDOME 130 USER'S GUIDE

PREAMBLE

This notice includes all the advice and warnings that enables a correct set up and a safe use of the product. TPL Vision can not be responsible for the bad use of the notice. If so, TPL Vision cancels the guarantee's effects.



■ UNPACKING

Products are packed in our factory, using suitable materials for a safe transport through the usual means of transportation, in France and abroad. However, a damaged package must be reported to the carrier on delivery. Hand-written reservations must be indicated on the delivery order. Moreover, please send a letter or an email to TPL Vision as soon as possible (up to 24 hours after the delivery). If the transportation damage has not been stipulated on the delivery order and reported to TPL Vision in time, the package will not be taken back nor exchanged. To open the package, do not use any cutting blade so as to avoid damages on the product. Please use the delivered accessories, if needed (do not use any other products or equivalents to replace the delivered accessories).

■ DIMENSIONS

	Internal ø (mm)	External ø (mm)	Height (mm)
	A	B	C
SDOME 130	124,6	200	92



Features and presentations liable to changes without notice.



20 rue de Saint Philbert – 44118 LA CHEVROLIÈRE – FRANCE
Tél. + 33 2 40 56 10 99 – Fax. + 33 2 40 56 42 89
www.tpl-vision.net



SMALL SDOME 130 USER'S GUIDE

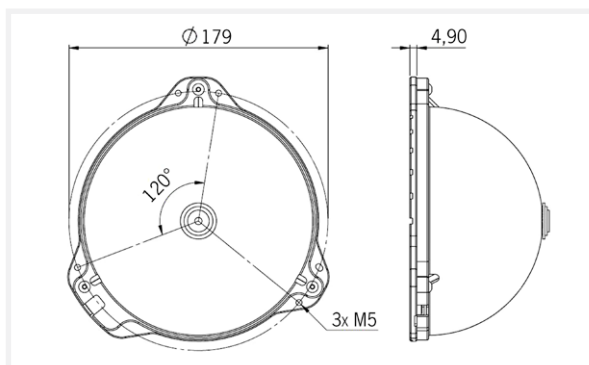
P2/4

P3/4



■ FIXING

During the set up, the light has to be switched off and unplugged. Please use the fixing holes designed for that purpose (see scheme below). We recommend the using of M5 screws (not supplied) with a tightening torque from 0.5 to 1.5 Nm. We also recommend the use of a threadlocker (not supplied) to avoid any risk of loosening.



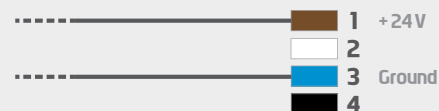
■ CONNECTION

M12 4 male points through accessory wire



FRONT VIEW OF THE PRODUCT'S CONNECTOR

CONTINUOUS MODE CONNECTION



M12 4 MALE POINTS
CONNECTOR

Accessory wire

■ USER SECURITY

**Do respect the power supply voltages and the connection terminals.
Do not modify or dismantle all or part of the product.
Do not connect or clean when power is on.
Do not watch the lighting source directly, and follow the advice below :**



- If the workstation enables it, interpose a filter that will stop the lighting radiation under fixed or adjustable frame between the source and the operator.
- When these measures cannot be implemented, supply the operators with glasses (class 4) available for sale at TPL Vision, or with a dedicated protective mask, that will stop the lighting radiation.
- Forbid or limit the direct access to the lighting source (exposure into the radiation axis).
- Establish a security perimeter so as to prevent the operators from approaching the lighting source beyond the recommendations of the manufacturer, as for eye irritation is concerned.
- In any case, ensure that the chosen means properly reduce the exposition quantities (features of screens or glasses to be chosen, according to the wavelengths that the operators are exposed to).

■ EQUIPMENT MAINTENANCE

CLEANING (when the product is switched off)

Please use a soft and dry cloth.
Do not use any abrasive material.
Do not use any cleaning solvent or aggressive chemical product.